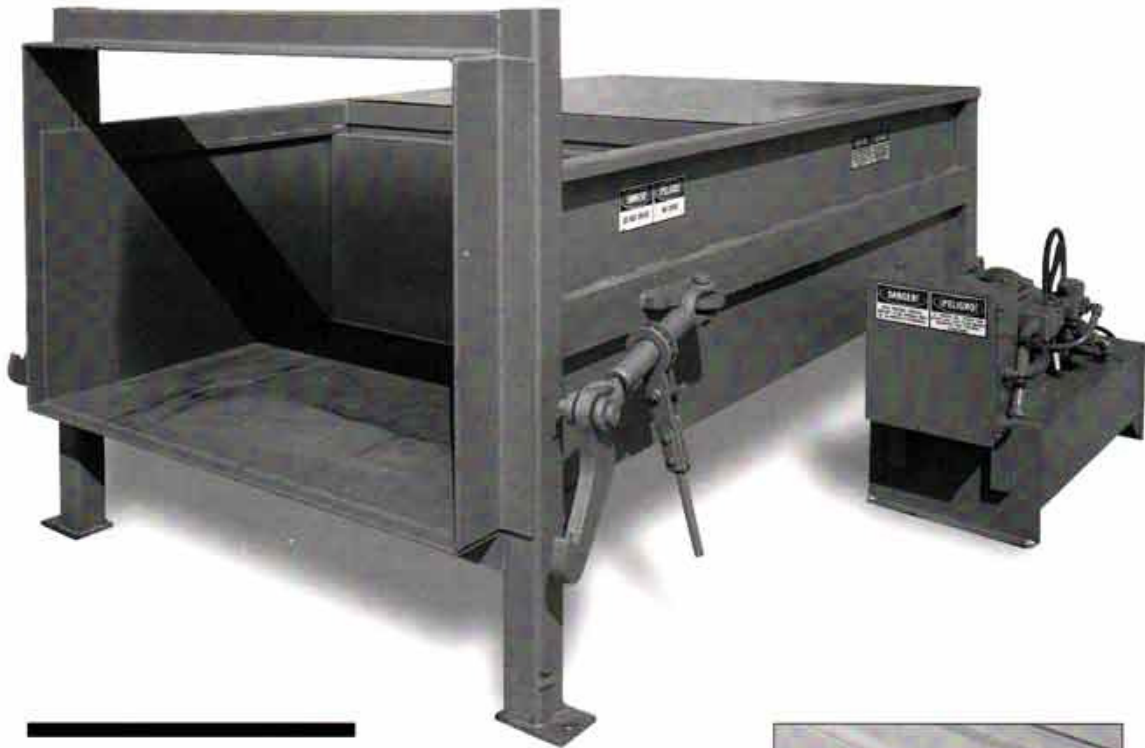


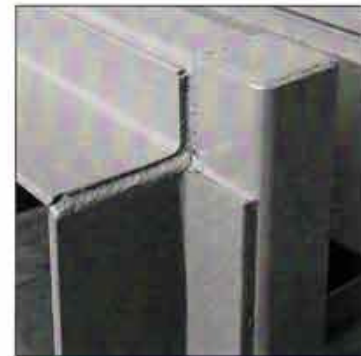
IDS

SERIES
250

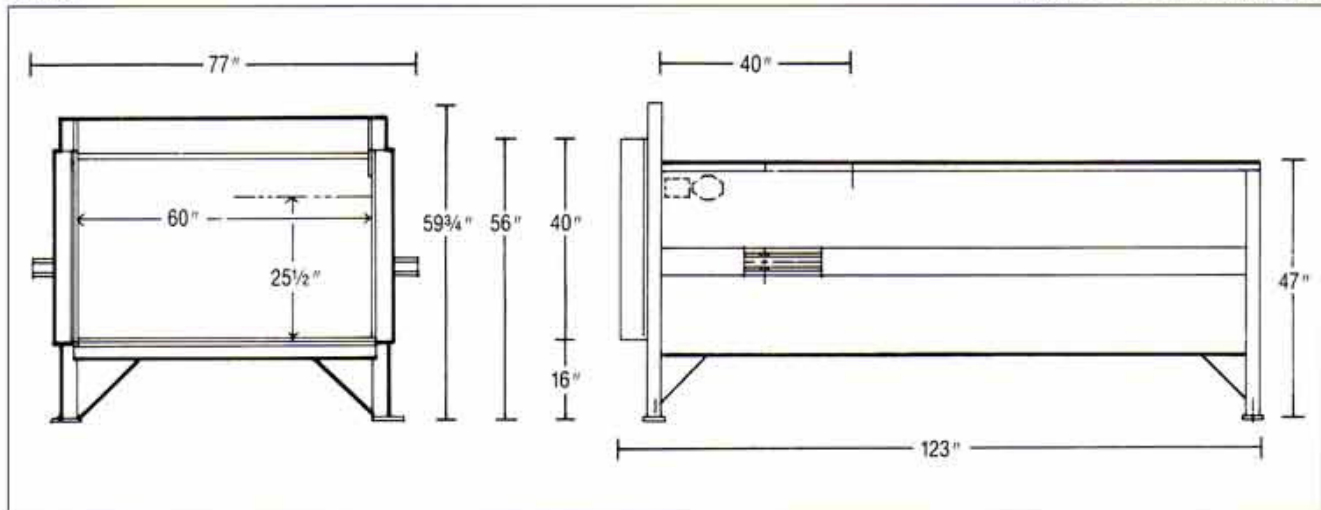
DURA-BILT® COMPACTORS



IDS offers the answer to your compaction needs today and for years to come with the Dura-Bilt 250 Compactor. Designed to meet your waste material handling requirements, the Dura-Bilt 250's heavy-duty construction features a 13-inch ram penetration with a cycle time of 37 seconds to handle your high density compaction payloads



Welded select prime steel construction is a Dura-Bilt trademark.

**250****DURA-BILT
COMPACTORS****SPECIFICATIONS**

Capacity	2.5 cubic yards
Overall length	123 inches
Overall width	77 inches
Overall height	59-3/4 inches
Loading height	47 inches
Charge box opening	40 x 60 inches
Ram face height	25-1/2 inches
Ram face width	60 inches
Ram stroke	55 inches
Cylinder size	5 inch with 3.5 inch shaft
Ram penetration	13 inches
Operating pressure	2000 lbs. PSI
Packing pressure per square inch (PSI)	26.07 lbs. PSI
Total compaction force	39,900 lbs.
Cycle time	37 seconds
Motor	10 HP 208—230/460V 3-phase 60 cycle—High Torque Tri-Voltage
Pump	11 GPM @ 1800RPM—Shockless
Oil Reservoir	30 gallons
Weight	4550 lbs.

**Nationwide installations
custom-fitted to any user requirements**

Design and specifications subject to change without notice.

Features

- Heavy-duty construction
- Low maintenance cost
- High density compaction payloads
- Easy operation
- High torque—Tri-voltage motor
- Shockless pump operation

Optional Equipment

- Dock ramp
- Safety hand rails and end gate
- Side or dock hopper
- Fully enclosed dog house—with door
- Side or rear opening thru-wall-chute with security door
- Fluid filled pressure gauge
- Full container light
- Special application container guide
- Cart dumper—side or dock level
- Extra length hoses (if required)
- Oil immersion heater
- Deodorizer system
- Electric eye or sonic sensor for chute loading

CAUTION!

THIS COMPACTOR
STARTS AND STOPS
REMOTEY

¡CUIDADO!

ESTE COMPACTADOR
IMPIEZA Y PARA
REMOTAMENTE

Bilingual safety decals are provided to meet current A.N.S.I. standards.

IDS

INDUSTRIAL DISPOSAL SUPPLY COMPANY

San Antonio

P.O. Box 8175
78208

210/227-3441

Fax 210/227-4424

Houston

P.O. Box 8623
77249

713/692-7289

Fax 713/692-7996

Plano (Dallas)

P.O. Box 860707
75086

214/423-1423

Fax 214/424-7203