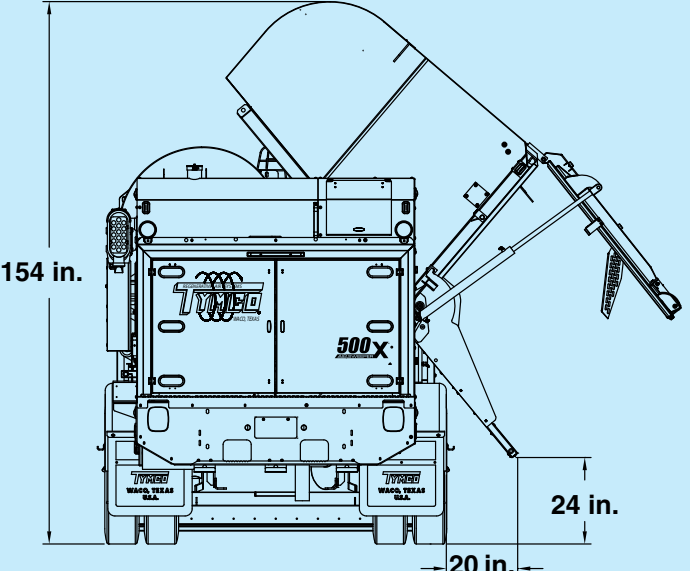


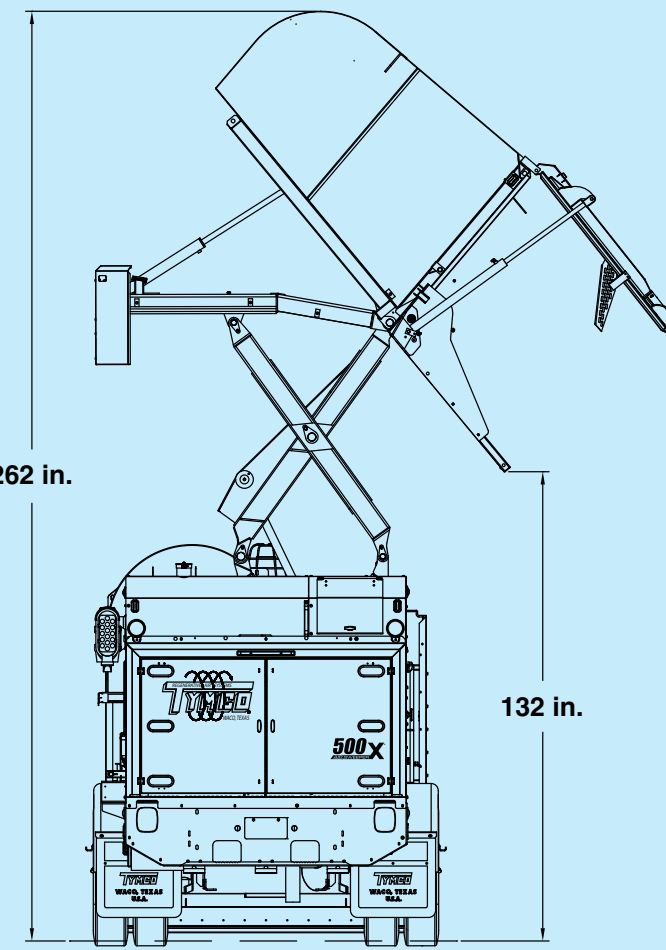
Sweeping Performance and Applications

- True Regenerative Air Performance
- High Side Dump Flexibility - from 2 ft. to 11 ft.
 - Dump on the Ground
 - Dump in a Container
 - Dump in a Dump Truck
- Increase Efficiency by Dumping Closer to the Job
 - Stage containers
 - Dispatch dump trucks
- Municipal, Construction and Highway Sweeping

Model 500x[®] AIR SWEEPER



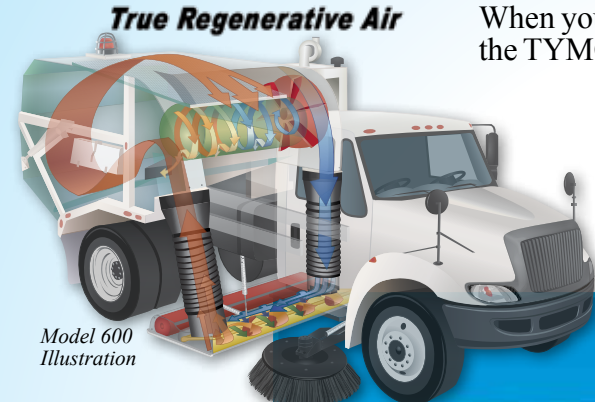
Lowest Dump Position



Highest Dump Position

Superior Training from TYMCO

We want you to understand the Regenerative Air System and your TYMCO Sweeper completely, so you can get optimal performance from your equipment investment. That's why, for more than thirty years, we've offered two-day scheduled training schools at our facility in Waco, Texas. Managers, owners, operators and mechanics get hands-on training and answers to specific questions. Enrollment levels are kept low, so you and your team will get personal attention as well as the opportunity to learn from the experiences of other attendees through the interaction of the class.



True Regenerative Air

When your operators and mechanics are thoroughly trained and knowledgeable about the TYMCO Sweeper, you get better performance and a lower cost per operating hour.

- TYMCO offers full two-day schools
- Choose from 30 or more schools
- Yearly class schedules and class agendas are available
- Learn through demonstrations on an operational sweeper
- Special schools arranged for large groups
- Register to attend on tymco.com



Specifically designed for training, our 3500 square foot, temperature controlled facility provides ample space for demonstrations on an operational sweeper and systems components. We also provide daily ground transportation from the hotel to our training facility, and lunch is on us.

This product is protected by numerous U.S. and Foreign Patents. Specifications subject to change without notice.

Convenient Dealer Service Centers

In over 50 U.S. and international locations, you receive on-the-spot parts and service from TYMCO's network of dealers.

TYMCO Builds a Model to Fit your Cleaning Needs



MODEL HSP[®]
High Speed Performance for Airport Runways



MODEL 435[®]
Mid-Sized Street Sweeper



MODEL 600[®] COMDEX[®]
Street Sweeper



MODEL 600[®] CNG
Compressed Natural Gas Powered



1-800-258-9626

TYMCO REGENERATIVE AIR SWEEPERS are South Coast AQMD Rule 1186 PM₁₀ Certified



MODEL DST-4[®]
Dustless Sweeping Technology



MODEL DST-6[®]
Dustless Sweeping Technology
Sweeper chassis models may change without notice.



MODEL 210[®]
Parking Lot Sweeper

0218 - 6M - 01SM © TYMCO, Inc. 2018



High Side Dump Regenerative Air Sweeper[®]



BlueLogic® Control System

The BlueLogic® Control System is the TYMCO multiplex electronics platform that delivers reduced wiring and advanced diagnostics.



In-cab controls are center mounted and illuminated for ease of operation from either driving position. Switches integrate multi-color LEDs giving operators instant feedback on sweeper functions.



The high resolution color touchscreen display delivers on-board diagnostics for the TYMCO BlueLogic® Control System and the auxiliary engine's ECU (Engine Control Unit). Service reminders are displayed for the auxiliary engine and hydraulic system fluids and filters.



The optional in-cab, operator controlled Pick-Up Head Front Curtain Lifter raises the front curtain allowing large amounts of lighter materials, such as leaves, to easily pass beneath the pick-up head.

TYMCO Regenerative Air Cleans Deeper™



No Grease Fittings = Less Maintenance

The heavy duty scissor lift assembly has a 10,000 lb. lift capacity. All pivots on the lift are self-lubricating and never require greasing. Integral counterbalance holding valves deliver controlled lowering of the lift assembly and serve as redundant safety locks.



The TYMCO patented Tilt-N-Seal® Blower System utilizes an adjustable spring balance design, which ensures long seal life between the hopper and blower housing. The hydraulically driven blower does not operate during the dump cycle and is accessible without having to remove the blower housing.

250 gallons of water available for dust control around the gutter brooms and inside the hopper. The Dust Control System turns off while the blower is off, conserving water.

The large 5.7 cubic yard hopper offers a variable dump height from 2 feet to 11 feet (24 inches to 132 inches), which allows for dumping into various size and type containers.



The heavy duty hopper, screens and high capacity dust separator are constructed of non-magnetic stainless steel. The hopper is designed with integral openings for cleaning above the screens without the use of drop down screens or access panels. The large hopper door allows easy dumping and is hydraulically and mechanically locked for both an air and water tight seal.

The hopper drain system allows for draining water picked up while sweeping.

The Sweeper Deluge System allows for the attachment of a high volume hose to aid in cleaning both the hopper and pick-up head.



The powerful, fuel efficient 115 HP diesel auxiliary engine meets Final Tier 4 (FT4) US EPA emissions standards. The engine is easily accessible at the rear of the sweeper with ground level access. Optional Compressed Natural Gas (CNG) auxiliary engine also available.

5.6 cubic foot steel storage box with lockable door.

Dual stabilizers automatically deploy before the dump cycle begins delivering unit stability throughout the dumping process.

The TYMCO patented dual 43 inch vertical digger Gutter Brooms are both variable speed and tilting. The brooms are illuminated for night sweeping.

The Broom Assist Pick-up Head (BAH) provides an on-demand broom for applications where a center broom may be desired. In-cab controls allow for broom assisted sweeping only when needed, reducing broom wear.



The large stainless steel dump chute projects debris into the middle of the container without the need of a side shift. The dump chute is separate from the hopper door which minimizes potential damage to the door and ensures a good seal. The chute is designed to float 45 degrees upward, preventing major damage should it come in contact with the debris container. In addition, the Model 500x fast dumping cycle contributes to high productivity.

Additional Sweeper Options

- AOD (Air Operated Diaphragm) Water Pump and Wash Down System
- Hi / Low Pressure Washdown System
- Pick-Up Head Front Curtain Lifter
- Camera / Monitor System

Special options are available for your individual requirements. Contact your local dealer or TYMCO.

Chassis Options and Features

- Cabover – Available with Dual Steering, Dual Tilt and Dual Instrumentation. Some models also available with Right Only Steering.
- Conventional Cab – Available with Dual Steering, Dual Tilt and Dual Instrumentation.
- Dual Adjustable High Back Air Suspension Seats
- Remote Controlled Heated Power Mirrors



International® Conventional Cab Chassis



Freightliner® Conventional Cab Chassis



Freightliner® Conventional Cab Chassis CNG (Compressed Natural Gas Powered)



Peterbilt® Cabover Chassis